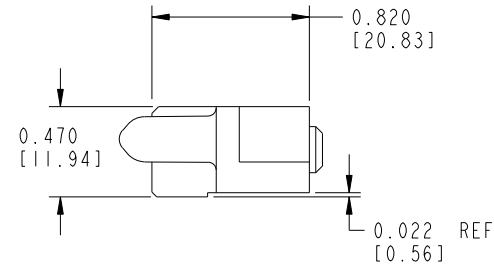
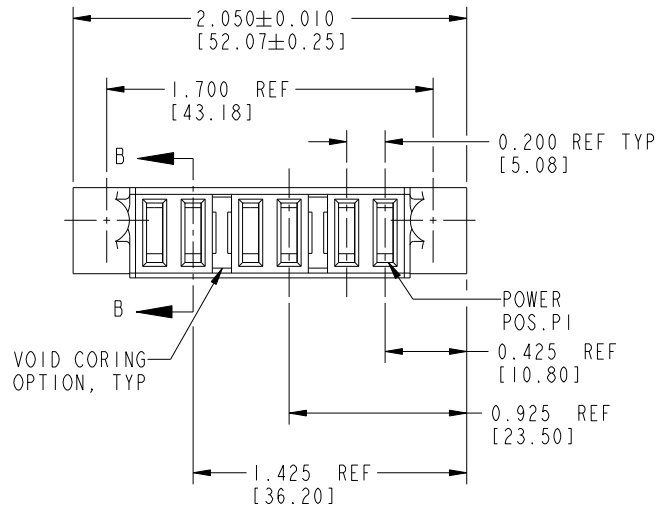
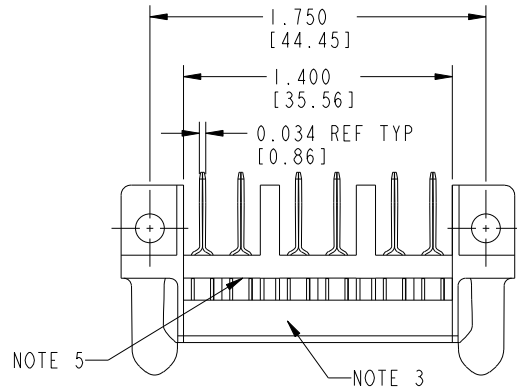


Tous droits strictement réservés. Reproduction ou communication a des tiers interdite sous quelque forme que ce soit sans autorisation écrite du propriétaire. Propriété de c FCI. Droits de reproduction FCI.



All rights strictly reserved. Reproduction or issue to third parties in any form whatever is not permitted without written authority from the proprietor. Property of FCI. Copyright FCI.

PRODUCT NUMBER
51871-004__
NOTE: 2



CODE	DIM "M" ±0.010 [0.25]	TERMINATION AREA ±0.010 [0.25]	CONTACT TYPE
PG	0.042 [1.07]	0.393 [9.98]	POWER
PH	0.092 [2.34]	0.393 [9.98]	POWER

mat'l code				NOTE 1		tolerances unless otherwise specified		CUSTOMER	
lfr	ecn no.	dr	date	linear	.XX±.01/0.X±0.3	COPY		FCI www.fciconnect.com	
A	V12841	EDT	12/18/01		.XXX±.005/0.XX±0.13	projection		title 6P RIGHT ANGLE RECEPTACLE	
B	V21626	TAB	10/11/02	angles	.XXX±.0020/0.XXX±0.050	INCH/MM		product family PwrBlade code 213	
C	DG05-0240	GuoJM	07/26/05		0°±2°	scale 1:1		size dwg no A 51871-004 sheet 1 of 2	
D	DG08-0251	W D	09/16/08	dr	E. TREECE 12/18/01				
				enrg	E. TREECE 10-10-00				
				chr	M. MOSTOLLER 12/18/01				
				appd	M. MOSTOLLER 12/18/01				
sheet index	revision sheet	D	D						
		1	2						

Pro/E

PDM: Rev: D

STATUS: Released

Printed: Sep 21, 2008

Tous droits strictement réservés. Reproduction ou communication a des tiers interdite sous quelque forme que ce soit sans autorisation écrite du propriétaire. Propriété de c FCI. Droits de reproduction FCI.



All rights strictly reserved. Reproduction or issue to third parties in any form whatever is not permitted without written authority from the proprietor. Property of FCI. Copyright FCI.

PRODUCT No. 51871-004-- NOTE: 2	ROWS D C B A	POWER								E1
		E2	P6	P5	P4	P3	P2	P1		

CONNECTOR NOTES:

1. HOUSING MATERIAL: UL 94 V-0 GLASS FILLED HIGH TEMP THERMOPLASTIC
POWER CONTACT MATERIAL: COPPER ALLOY

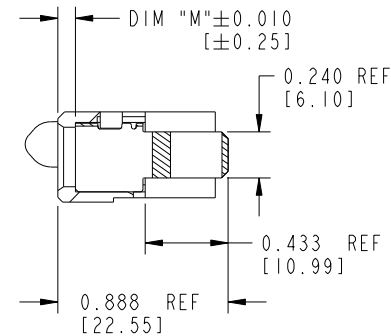
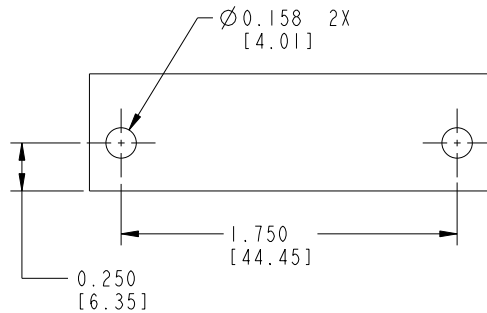
2. SEE ITEM 5 & 6 IN PRINT 10064183 FOR PLATING SPEC OF 51871-004 AND 51871-004LF RESPECTIVELY.

3. "MANUFACTURER'S" NAME, P/N, AND DATE CODE TO APPEAR ON THIS SURFACE

4. PRODUCT SPECIFICATION GS-12-149

5. CONTACT RETENTION BAR NOT INSTALLED IN CONNECTOR. IT IS TO BE INSTALLED BY CUSTOMER. RETENTION BAR IS PACKAGED SEPERATELY. REFERENCE BUS-20-078 FOR CONTACT RETENTION BAR INSTALLATION.

6. A Δ SYMBOL WILL BE NEXT TO ANY DIMENSION, VIEW, OR NOTE WHICH HAS BEEN MODIFIED WITH THE CURRENT DRAWING REVISION.



SECTION B-B

mat'l code		NOTE 1		tolerances unless otherwise specified		CUSTOMER		FCI		www.fciconnect.com	
lfr	ecn no.	dr	date	linear	.XX±.01/0.X±0.3	projection	COPY		title		
D				angles	.XXX±.005/0.XX±0.13				6P RIGHT ANGLE RECEPTACLE		
				dr	.XXX±.0020/0.XXX±0.050		INCH/MM		product family		code
				enrg	0°+2°	1:1			PwrBlade		213
				chr	E. TREECE 12/18/01				size		sheet
				appd	E. TREECE 10-10-00				A 51871-004		2 of 2
					M. MOSTOLLER 12/18/01						
					M. MOSTOLLER 12/18/01						
sheet index	revision sheet										

Pro/E

PDM: Rev:D

STATUS: Released

Printed: Sep 21, 2008